

# XD 5

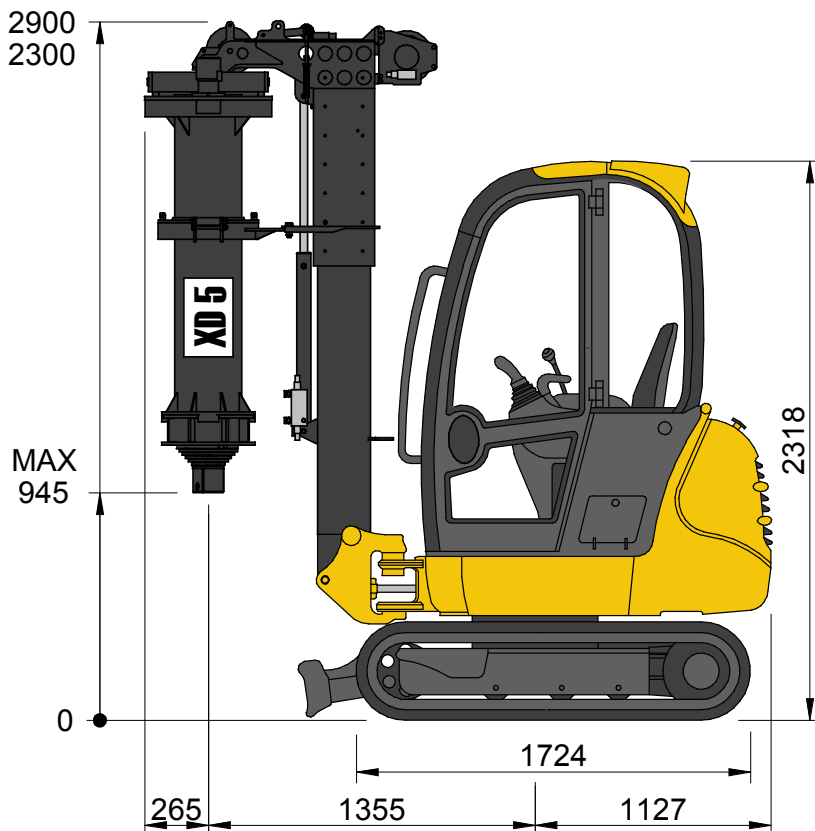


## MINI PILING RIG

**XD 5**

The GEAX XD 5 is a patented piling rig attachment designed to be fully reversible to the original excavator functions and the conversion time is very fast, about 30 min. The XD 5 is ideal for working in narrow and low headroom spaces such as inside existing buildings, the 1m width allows it to pass through a normal door.

- Extendable tracks
- Powerful 1,13 litres diesel engine
- Quick coupling hydraulic hoses
- Telescopic mast
- 7 elements round interlocking telescopic kelly bar
- Minimum working height 2,6 m
- Mast automatic vertical alignment
- Automatic winch stop
- Solar panel piles fixture application



| BASE                  |         | JCB 8020       |  |
|-----------------------|---------|----------------|--|
| Engine                | Perkins | 403D-II        |  |
| Engine power          | kW (hp) | 14.7 (19.7)    |  |
| Undercarriage length  | mm      | 1724           |  |
| Undercarriage width   | mm      | 1002-1362      |  |
| Pumps                 | lpm     | 22x22x11.4     |  |
| ROTARY                |         |                |  |
| Nominal torque        | kNm     | 6              |  |
| Drilling speed        | rpm     | 23 - 46        |  |
| WINCH                 |         |                |  |
| Winch line pull       | kN      | 8              |  |
| CROWD SYSTEM          |         |                |  |
| Pull down force       | kN      | 25             |  |
| Extraction force      | kN      | 40             |  |
| Stroke                | mm      | 600            |  |
| EXCAVATION            |         |                |  |
| Max pile diameter     | mm      | 500            |  |
| Max pile depth        | m       | 9.5            |  |
| Mast inclination 360° | deg     | 4              |  |
| DIMENSIONS            |         |                |  |
| Total weight          | kg      | 2400           |  |
| Transport             | m       | W1/L2,75/H2,32 |  |
| Min working height    | m       | 2.6            |  |