



GEAX s.r.l.

DRILLING MACHINES



DTC30E50

DTC30

HYDRAULIC DRILLING RIG

The machine's innovative concept is based on a monolithic steel structure where the telescopic bars rotate. The main advantages are :

- high overall rigidity;
- guided bars;
- vertical alignment of the mast achievable with simple and fast movements;
- passages of the steel-wire ropes not dependent on the inclination, the winches being integral with the mast;
- more positioning freedom thanks to the arm-structure;
- perfect visibility of the tool and the working area;
- easy maintenance thanks to the simple accessibility to the components;
- noise reduction during the spin off operation.

TECHNICAL FEATURES

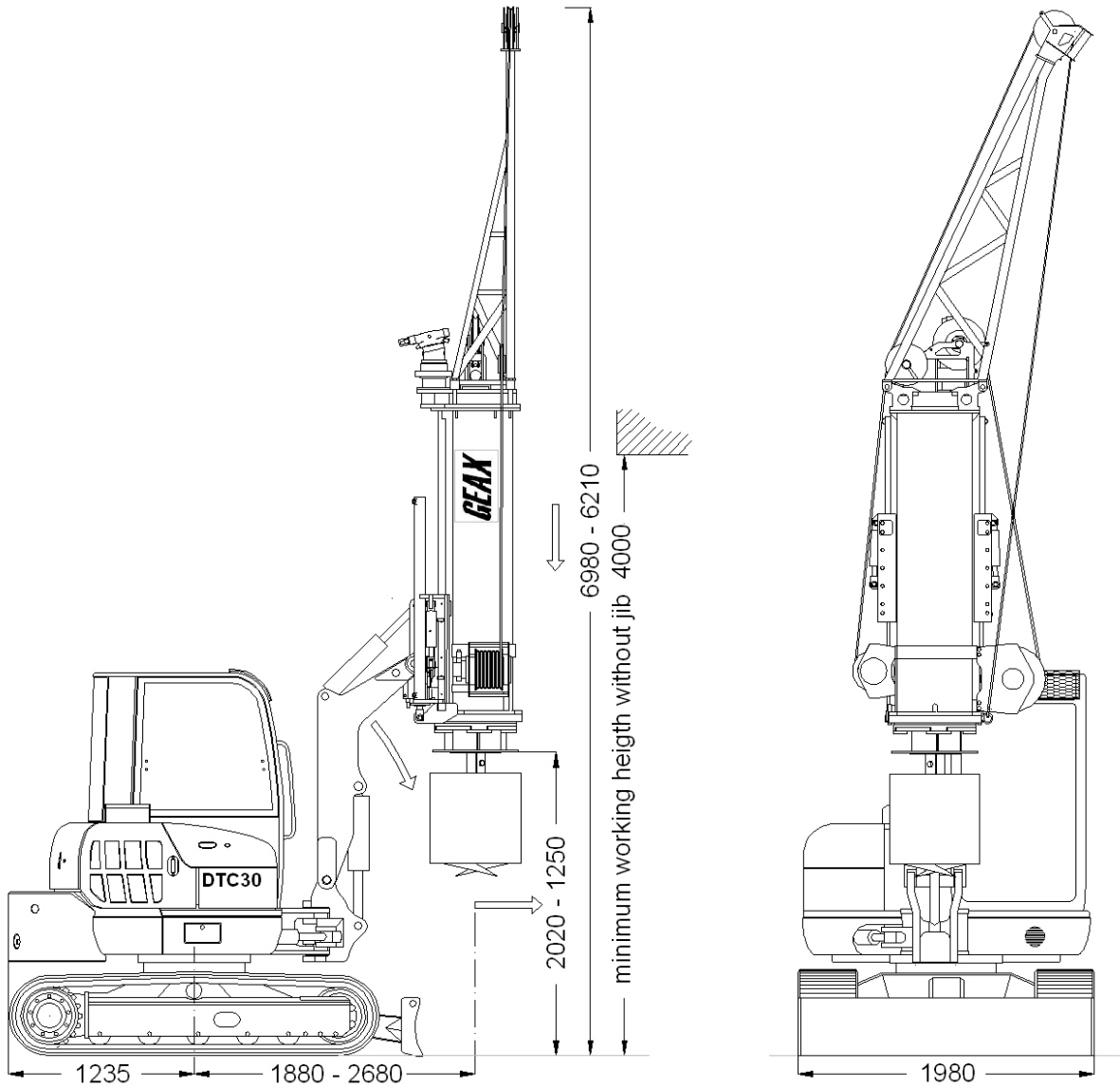
Base	Eurocomach 500 ZT
Undercarriage length	2480 mm
Undercarriage width	1980 mm
Shoe	400 mm
Engine type	Kubota V2403-M
Engine power	36,8 kW (50 HP)
Mast	Minimum working height without jib 4000 mm
Side rake	± 6,5°
Stroke	1200 mm
Telescopic kelly bar	Square / circular
Square connection	100 mm
Max pile depth	12,5 - 15 m / 14 m interlocking bar
Max pile diameter	800 mm
Rotary	Hydraulic
Max nominal torque	2700 daNm
Drilling speed	10 - 45 rpm
Spin off speed	45 rpm
Winches	Hydraulic
Main winch line pull	3500 daN
Auxiliary winch line pull	1100 daN
Hydraulic system	
n.2 piston pumps	flow: 2 X 60 l/min
n.1 auxiliary pump	flow: 45 l/min
Transport condition	
Length	5100 mm
Width	1980 mm
Height	2550 mm
Weight	8800 kg

Technical data are indicative and subject to change without notice

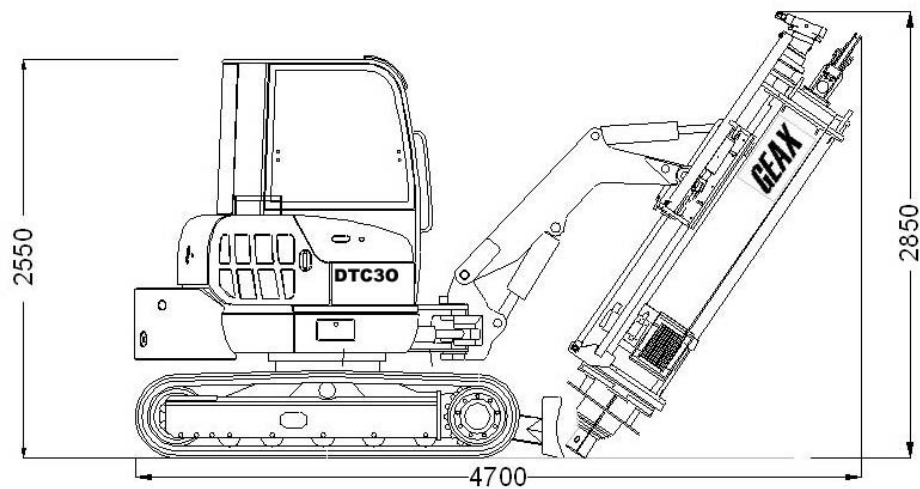
DTC30

HYDRAULIC DRILLING RIG

WORKING CONDITION



TRANSPORT CONDITION





GEAX s.r.l.
Drilling Machines
via Campoceraso n.13
60027 Osimo (AN)
tel/fax+39 071 715199
<http://www.geax.it>
info@geax.it



Authorized dealer :



MECCANICA DI PRECISIONE

Voc. Navello - Zona Industriale
06038 Spello (PG)
Tel. (+39) 742 301626
(+39) 742 302061
fax (+39) 742 301514

www.ciancaleoni.com